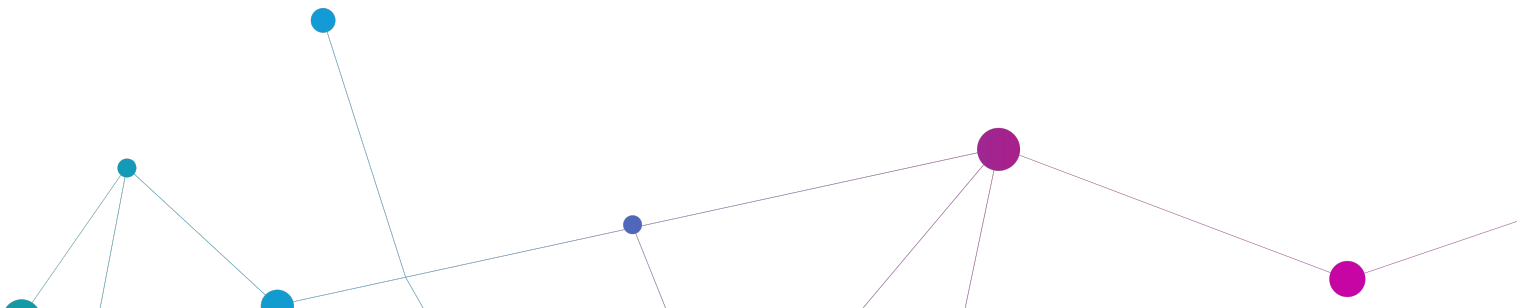


# Screen Mounting Instructions



# Contents

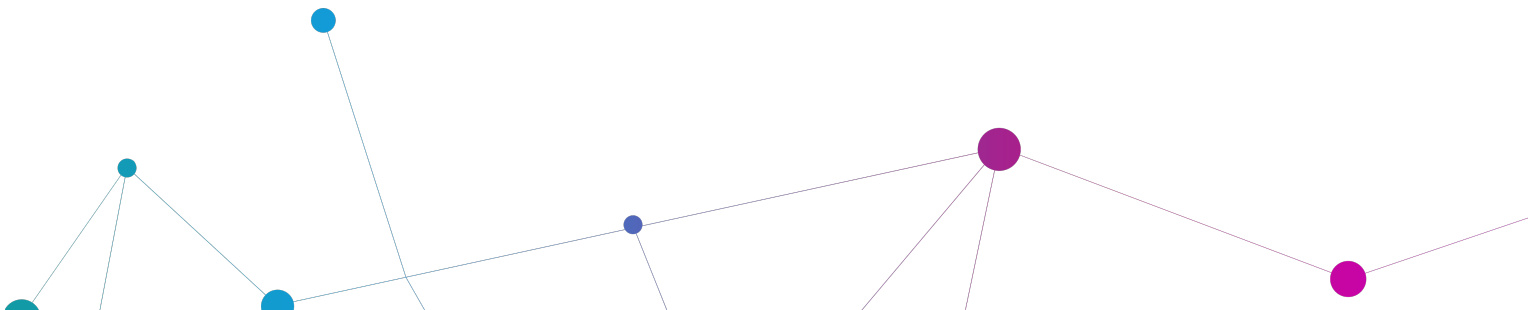
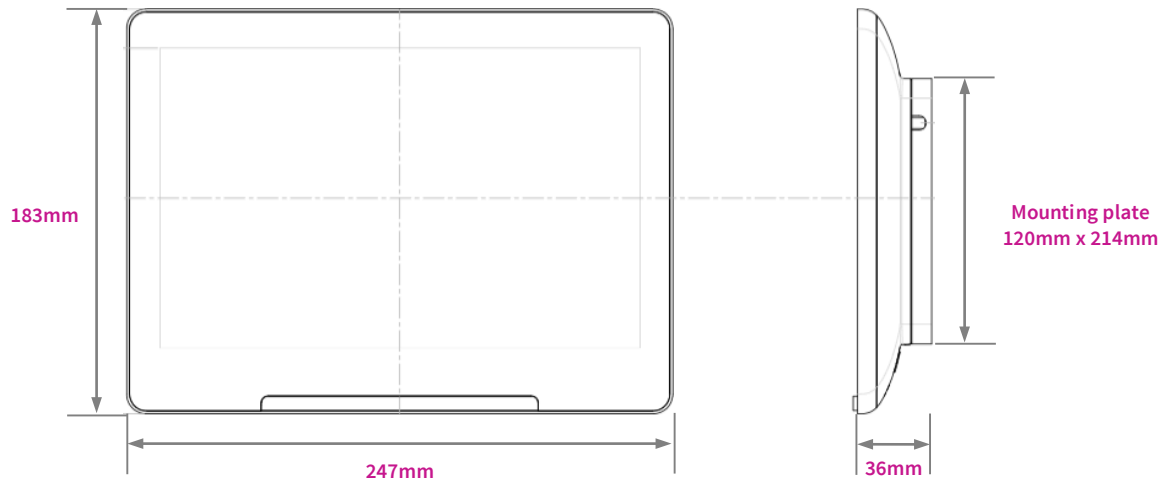
Introduction .....	3
Cable routing.....	4
Recommended screen height .....	4
Wall mount .....	5
Glass mount .....	6
Cabling .....	7
Contact.....	9



## Introduction

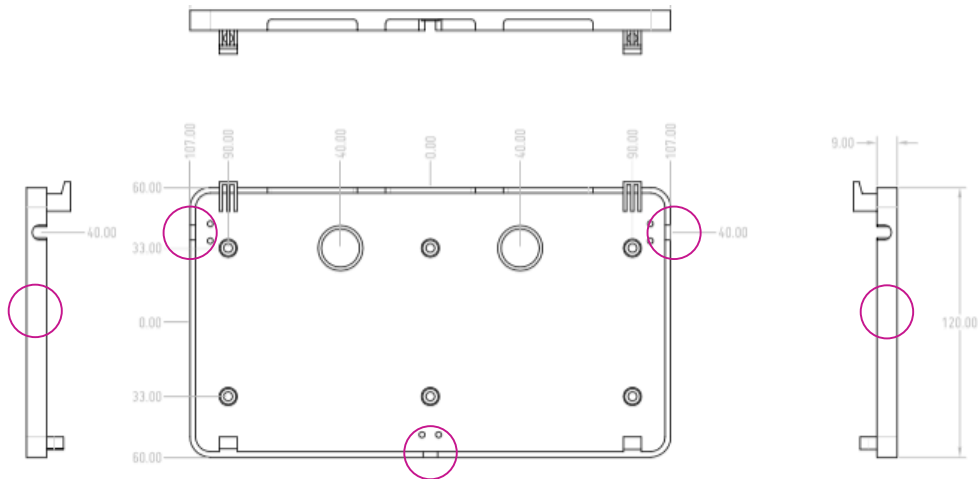
Congratulations to your purchase of you Condeco Connect meeting room screens. This document contains mounting instructions for your screens.

The screens can be mounted to solid or partition walls using the mounting plate supplied in the box and suitable fixings.



## Cable routing

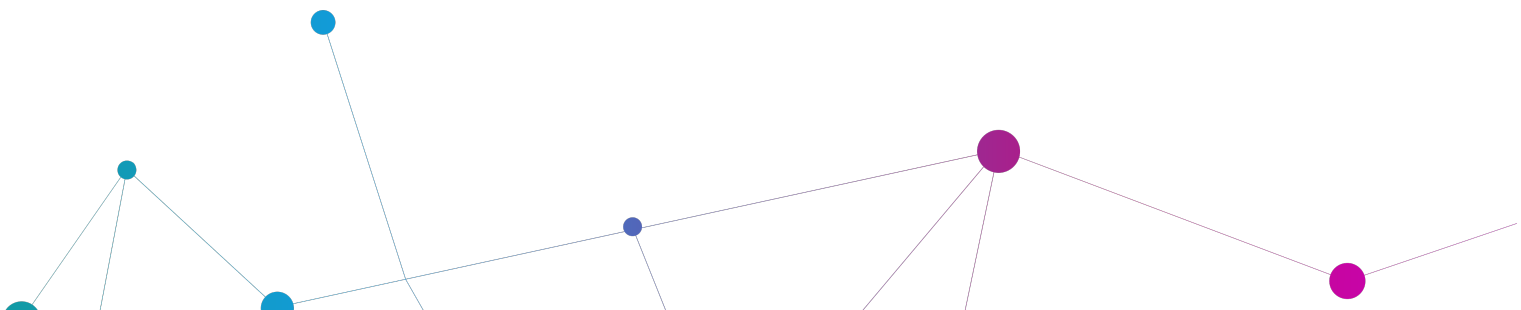
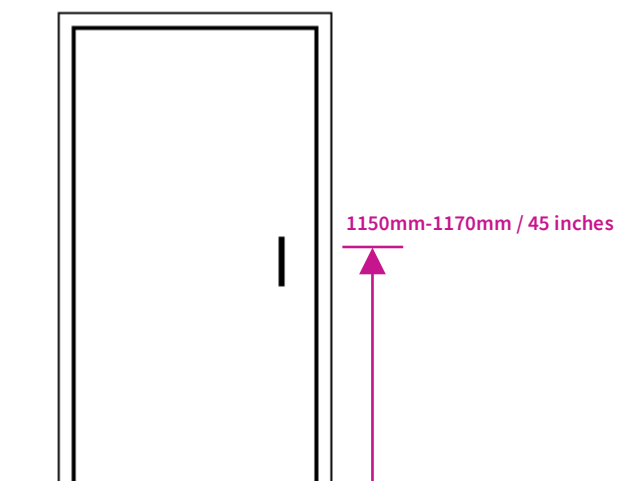
When deciding where to mount the Condeco room screen please consider the locations of the cable entry points on the back plate on the top left and right, and the bottom center, highlighted below. Typically, the power or network cable is running aside, or inside the doorframe, entering the mounting plate from the side. It's best practice if possible to fit the device on the side of the door where the handle is.



*Cable entry points*

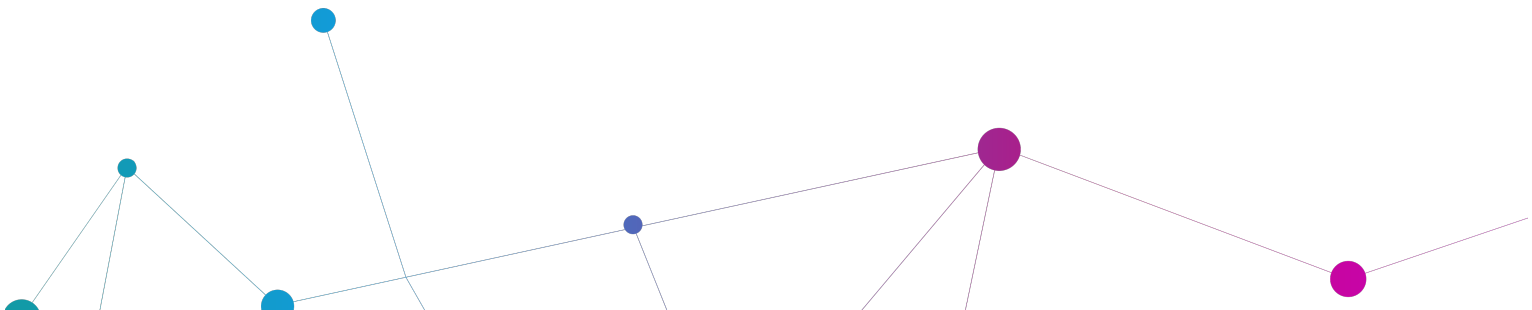
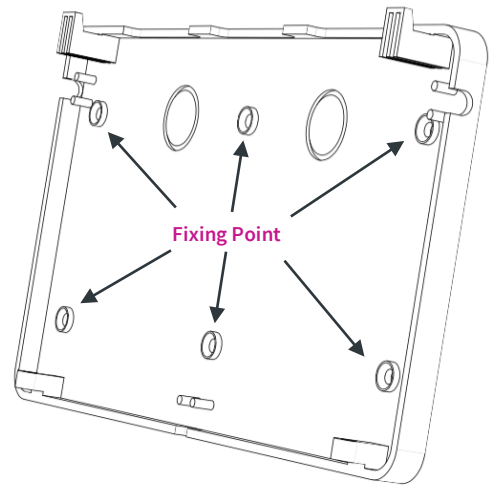
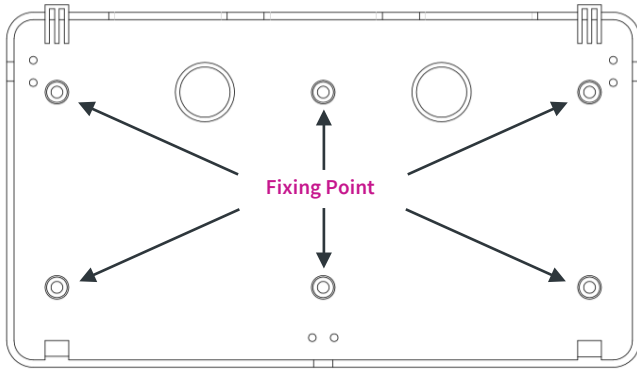
## Recommended screen height

The final screen height should be determined by local disability access requirements. The ADA (Americans with Disabilities Act) Guidelines requires that the highest point of interaction is not greater than 48 inches or 1220mm. We find 1150mm – 1170mm from the bottom of the device typically a suitable height.



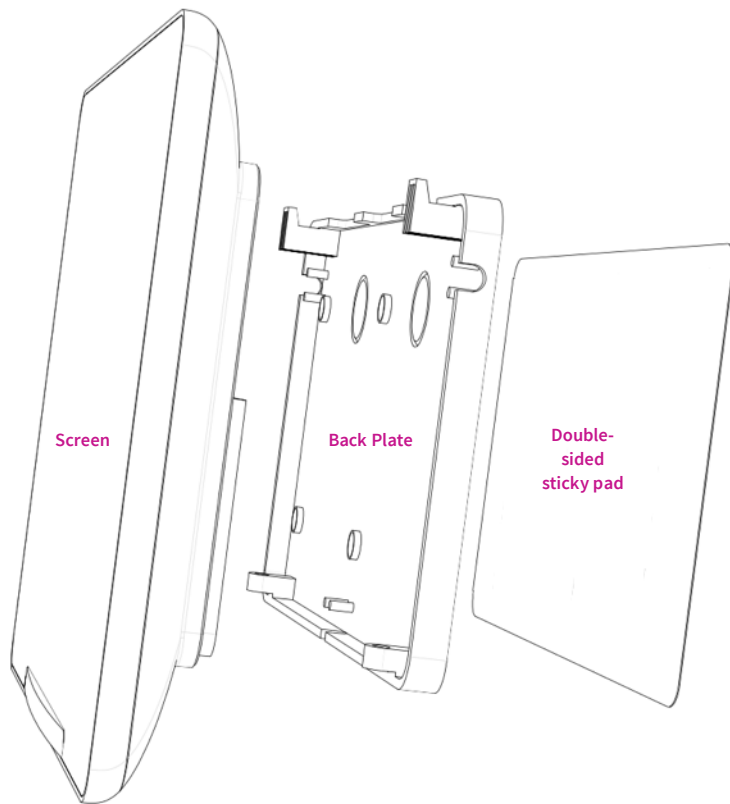
## Wall mount

Once desired screen height is finalised, the back needs to be fixed to the wall using screws to secure the back plate in position.



## Glass mount

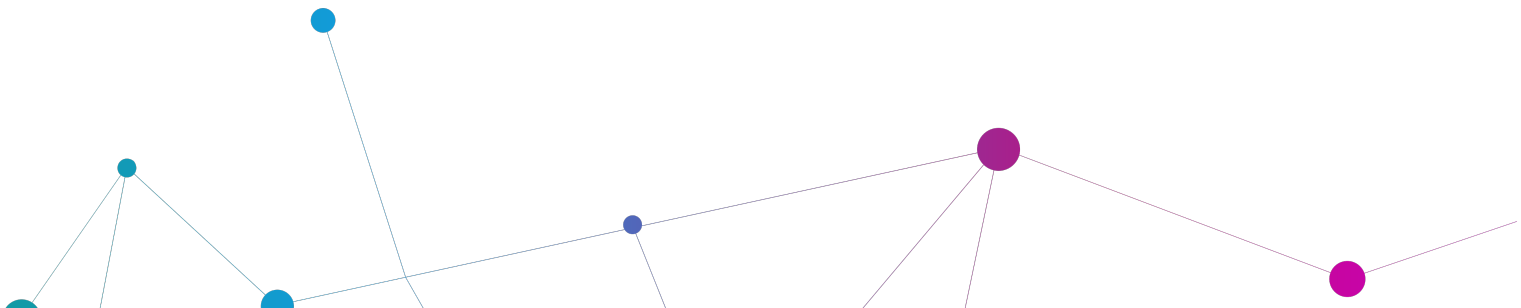
The following illustration shows a screen mounted to Glass.



To fix the screen to a glass wall, attach the double-sided sticky pad\* to the back plate, and then firmly press the back plate against the glass.

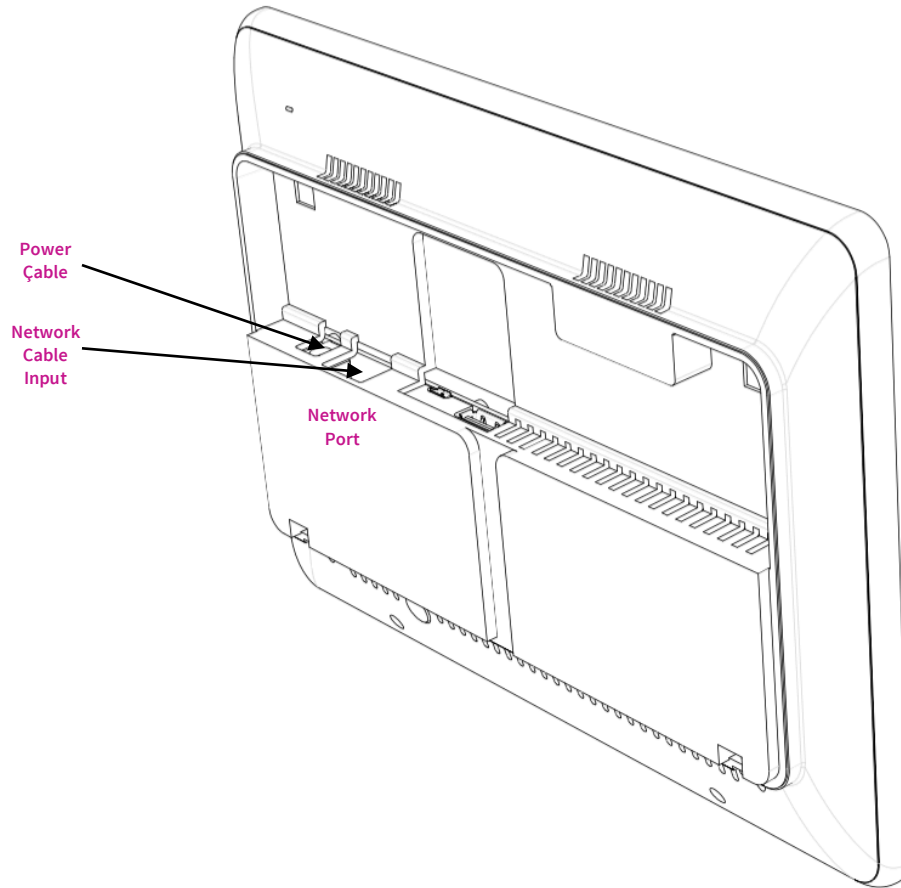
If you mount on glass, you may decide that you want to fit a manifestation behind the device to hide cabling and fixings. We can supply these as an extra on request. If applying these yourself, we recommend manifestations for wet application.

\*Supplied with retail boxed product only.

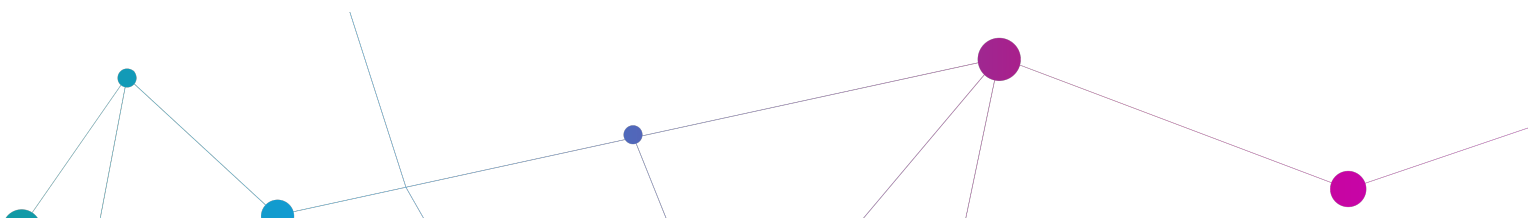
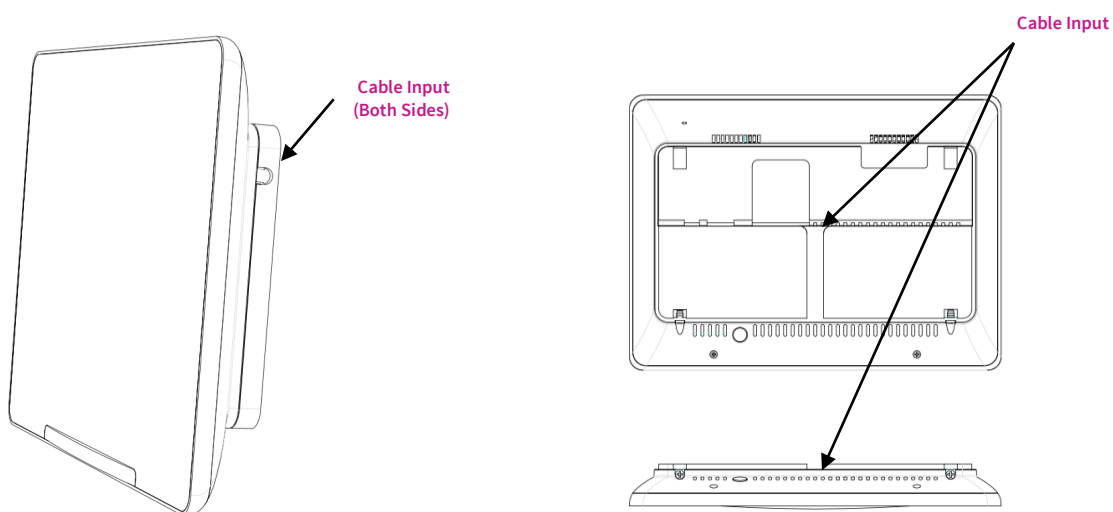


## Cabling

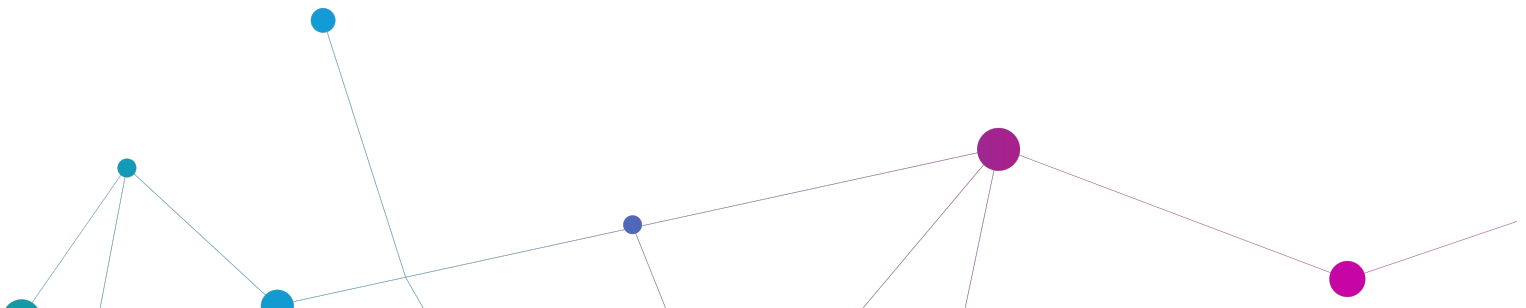
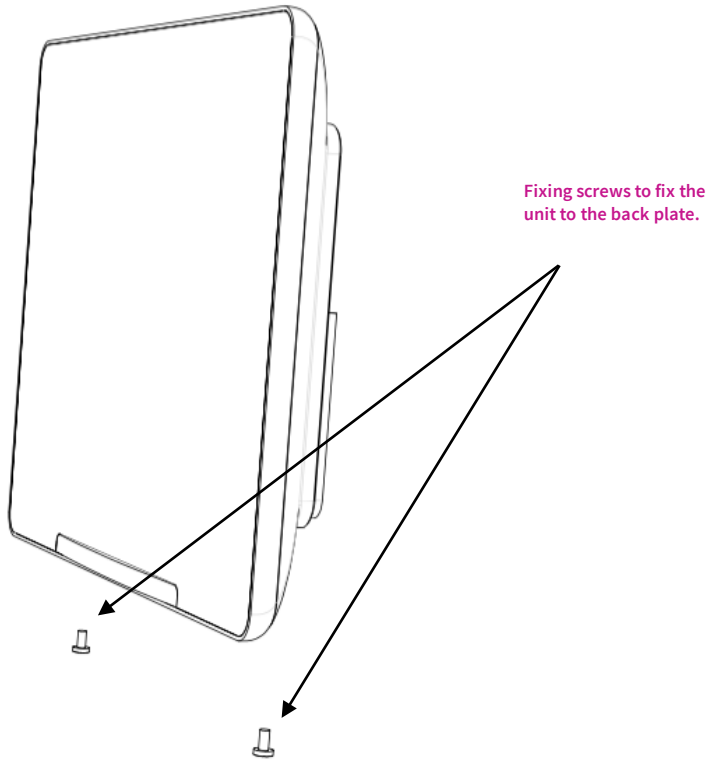
Once the back plate has been fixed to the wall connect the LAN cable or the power cable to the rear of the Condeco screen.



Feed the LAN cable through the appropriate cable input hole in the back plate.



Clip the screen on to the back plate and screw the unit in place using the screws provided so it can't be removed.





## Contact

Condeco Group

8th Floor Exchange Tower  
2 Harbour Exchange Square  
London E14 9GE

United Kingdom

